

# Lorentz PS2-150 Controller

## Controller for Solar Submersible Pump System

### System Overview

### Technical Data

#### Controller PS2-150

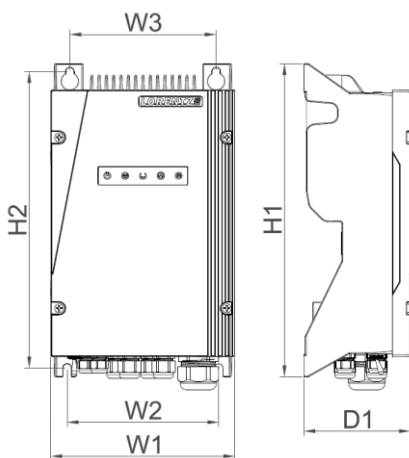
- Controlling and monitoring
- Control inputs for dry running protection, remote control etc.
- Protected against reverse polarity, overload and overtemperature
- Integrated MPPT (Maximum Power Point Tracking)
- Battery operation: Integrated low voltage disconnect

Power	max. 0,30 kW
Input voltage	max. 50 V
Optimum Vmp**	> 17 V
Motor current	max. 22 A
Efficiency	max. 98 %
Ambient temp.	-40...50 °C
Enclosure class	IP68
Net Weight	5,6kg

### Dimensions and Weights

#### Controller

H1 = 352 mm  
H2 = 333 mm  
W1 = 207 mm  
W2 = 170 mm  
W3 = 164 mm  
D1 = 124 mm



### Standards



2006/42/EC, 2004/108/EC, 2006/95/EC

IEC/EN 61702:1995

The logos shown reflect the approvals that have been granted for this product family. Products are ordered and supplied with the approvals specific to the market requirements.

\*\*Vmp: MPP-voltage under Standard Test Conditions (STC): 1000 W/m<sup>2</sup> solar irradiance, 25 °C cell temperature

\*\*\*Specify temperature range on order

#### BERNT LORENTZ GmbH & Co. KG

Siebenstuecken 24, 24558 Henstedt-Ulzburg,  
Germany, Tel +49 (0)4193 8806-700, www.lorentz.de

Created by LORENTZ COMPASS 3.1.0.95

All specifications and information are given with good intent, errors are possible and products may be subject to change without notice. Pictures may differ from actual products depending on local market requirements and regulations.

